

Spare parts list for Stirrer

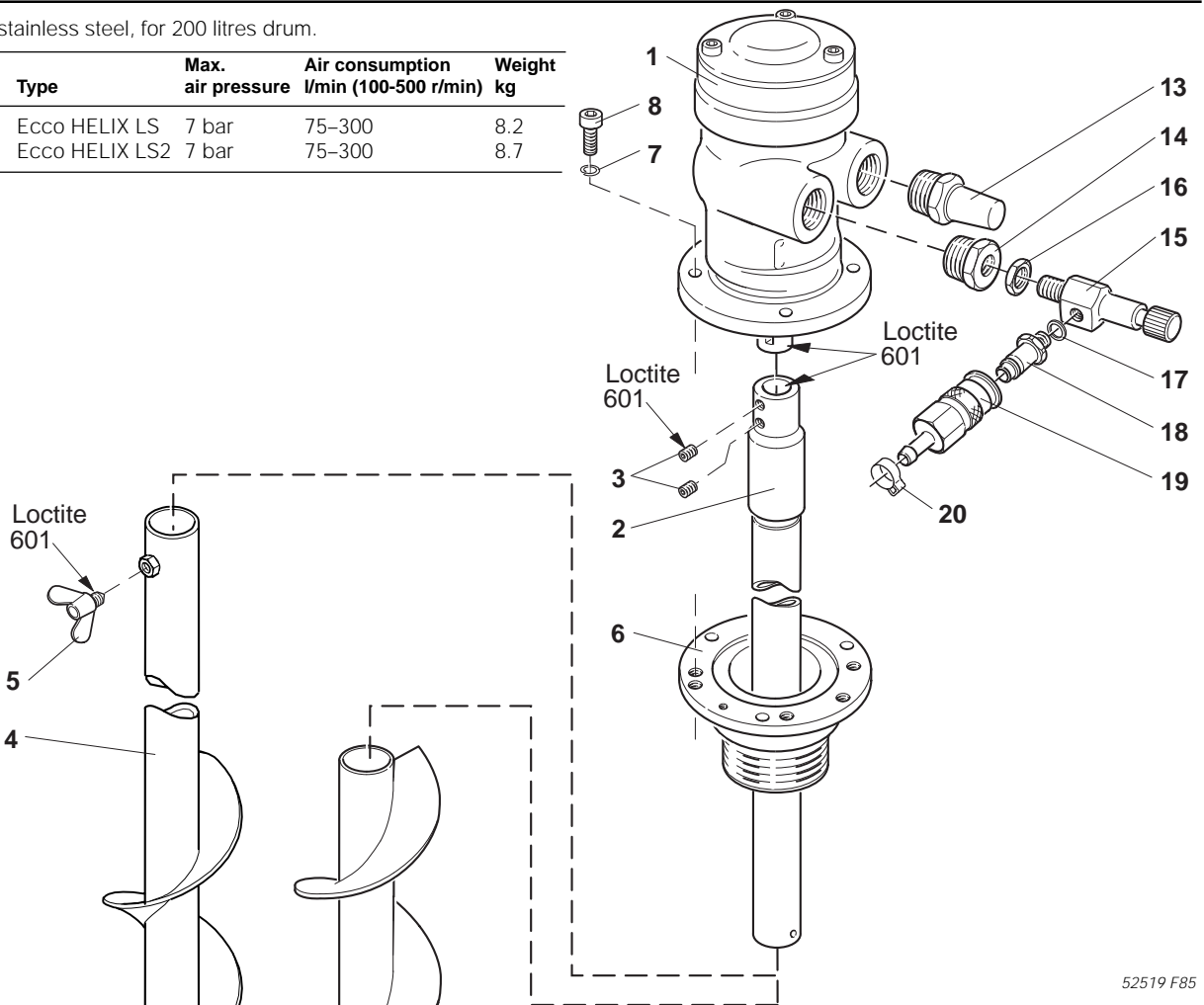
Ecco HELIX LS Ecco HELIX LS2

ECCO

ESL 12/11-21

Ecco HELIX, stainless steel, for 200 litres drum.

Ordering No	Type	Max. air pressure	Air consumption l/min (100-500 r/min)	Weight kg
8610 0112 71	Ecco HELIX LS	7 bar	75-300	8.2
8610 0112 75	Ecco HELIX LS2	7 bar	75-300	8.7



52519 F85

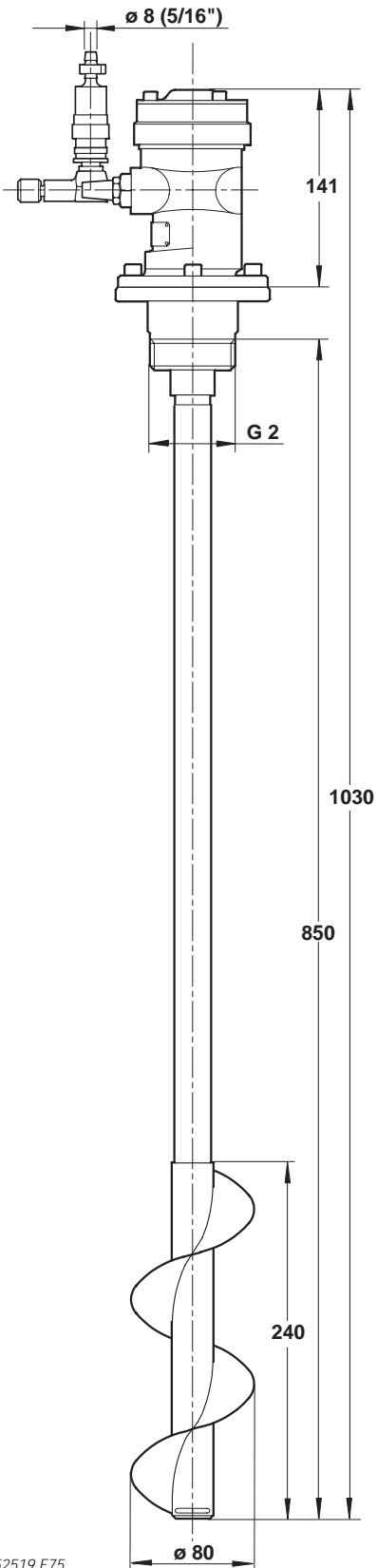
Part numbers **in bold type** designate consumption parts.

Ref. No.	Part number	Qty Helix		Description
		LS	LS2	
1	8411 1005 09	1	1	Air motor LZL 05 (see spare parts list No. 9836 0526)
2	6003 9305 00	1	1	Shaft (Stainless steel)
3	0190 1242 00	2	2	Set screw (P6SS 6 x 8)
4	6003 9307 15	-	1	Agitator (Stainless steel)
5	6202 2799 00	-	1	Wing screw
6	6003 9303 00	1	1	Housing (Stainless steel)
7	0333 3220 00	4	1	Spring washer (FBB 6.4 fz)
8	0211 1960 03	4	1	Screw (MC6S 6 x 18 fz)
9	6003 9307 00	1	1	Agitator (Stainless steel)
10	0111 1285 01	1	-	Pin (3.2 x 40 Stainless steel)
11	6003 9310 00	1	-	O-ring (12.5 x 3.6 Viton)
12	6003 9309 00	1	-	Plug (Stainless steel)
13	9090 0510 00	1	1	Silencer (G1/2)
14	0605 8714 00	1	2	Bushing (G1/2 x G1/4 Brass)
15	6003 9301 00	1	1	Needle valve
-	0663 6112 00	1	1	- O-ring (5.1 x 1.6)
-	0192 1168 00	1	1	- Set screw (T6SS 4 x 6)
16	6001 3762 00	1	1	- Nut (G1/4)
17	0653 1041 00	1	1	Gasket (10/14 x 1 Kpr)
18	8202 1202 37	1	1	Nipple NIP 10A M06
19	8202 1302 10	1	1	Quick coupling QIC 10 H08
20	0347 0122 09	1	1	Hose clamp (12.8 - 14.8)
Optional Equipment				
21	6003 6663 00	1	1	Edge bracket, for open 200 l drums

52519 F67-2

CE Ex II 2 G

9836 3157 01
2013-01



52519 F75



52519 F76