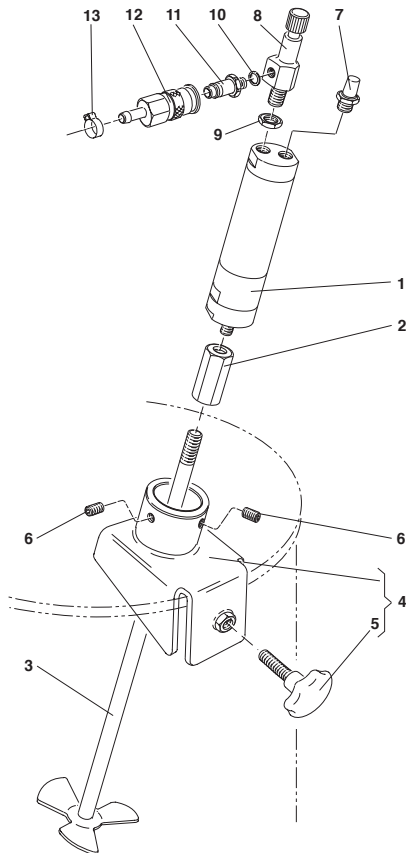


**Ecco ELM 33F-GS12, -GS1**  
**Ecco ELM 33F-GS12 L=700**  
**Ecco ELM 33F-GS2, -G2**

**Ecco ELM 33F-GS12, -GS1**



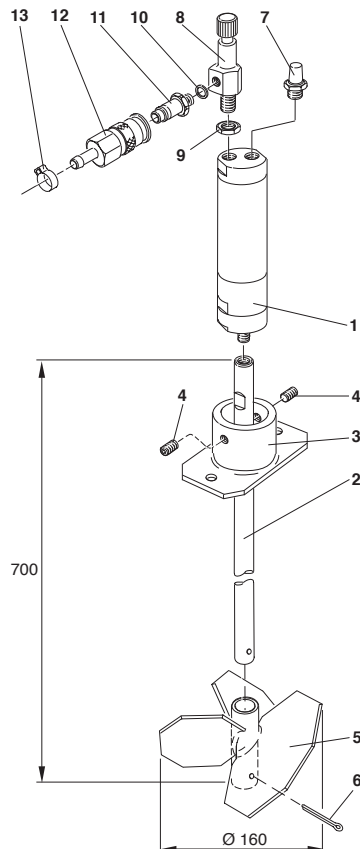
52519 F68

Ordering No	Type	Max. air pressure bar	Air consumption l/min (100-500 r/m)	Weight kg
8610 0110 68	Ecco ELM 33F-GS12	7	75-300	2.2
8610 0110 70	Ecco ELM 33F-GS12 L=700	7	75-300	4.5
8610 0110 65	Ecco ELM 33F-GS1	7	75-300	2.4
8610 0110 66	Ecco ELM 33F-GS2	7	75-300	4.6
8610 0110 67	Ecco ELM 33F-G2	7	75-300	4.6

Ecco ELM 33F-GS12, stainless, for 12 litres container.  
Ecco ELM 33F-GS1, stainless, for 20 litres container.  
Part numbers **in bold type** designate consumption parts.

Ref. No.	Part number	Qty	Description
1	8411 0307 30	1	Air motor LZB 33L A007-12 (see spare parts list No. 9836 1221)
2	6003 9516 10	1	Socket
3	6003 7820 12	1	Shaft for -GS12
3	6003 7820 10	1	Shaft for -GS1
4	6003 7827 00	1	Edge bracket, compl.
5	6803 6689 00	1	- Knob
6	<b>0196 1319 00</b>	2	Set screw (SK6SS 8 x 10)
7	9090 0508 00	1	Silencer (G1/4)
8	6003 9301 00	1	Needle valve
-	<b>0663 6112 00</b>	1	- O-ring (5.1 x 1.6)
-	<b>0192 1168 00</b>	1	- Set screw (T6SS 4 x 6)
9	6001 3762 00	1	- Nut (G1/4)
10	<b>0653 1041 00</b>	1	Washer (10/14 x 1 Kpr)
11	8202 1202 37	1	Nipple NIP 10A M06
12	8202 1302 10	1	Quick coupling QIC 10 H08
13	<b>0347 0122 09</b>	1	Hose clamp (12,8 - 14,8)

**Ecco ELM 33F-GS12 L=700**

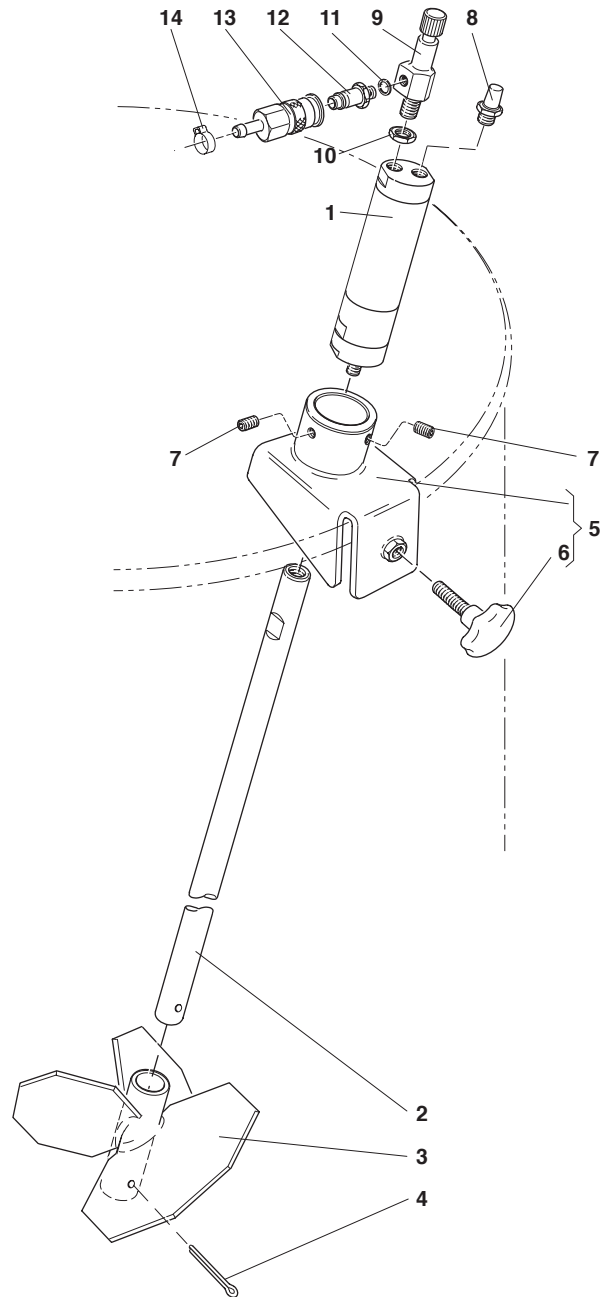


52519 F86

Ecco ELM 33F-GS12 L=700, stainless, for max. container depth 700mm.  
Part numbers **in bold type** designate consumption parts.

Ref. No.	Part number	Qty	Description
1	8411 0307 30	1	Air motor LZB 33L A007-12 (see spare parts list No. 9836 1221)
2	6003 9372 70	1	Stirrer shaft (stainless steel)
3	6003 9518 00	1	Motor holder
4	<b>0196 1319 00</b>	2	Set screw (SK6SS 8 x 10)
5	6003 9298 10	1	Agitator (stainless steel)
6	0111 1285 01	1	Pin (3.2 x 40 stainless steel)
7	9090 0508 00	1	Silencer (G1/4)
8	6003 9301 00	1	Needle valve
-	<b>0663 6112 00</b>	1	- O-ring (5.1 x 1.6)
-	<b>0192 1168 00</b>	1	- Set screw (T6SS 4 x 6)
9	6001 3762 00	1	- Nut (G1/4)
10	<b>0653 1041 00</b>	1	Washer (10/14 x 1 Kpr)
11	8202 1202 37	1	Nipple NIP 10 QIC 10 M06
12	8202 1302 10	1	Quick coupling QIC 10 H08
13	<b>0347 0122 09</b>	1	Hose clamp (12.8 - 14.8)

## Ecco ELM 33F-GS2, -G2



Ecco ELM 33F-GS2, stainless, for 200 litres drum.  
Ecco ELM 33F-G2, carbon steel, for 200 litres drum.

Part numbers **in bold type** designate consumption parts.

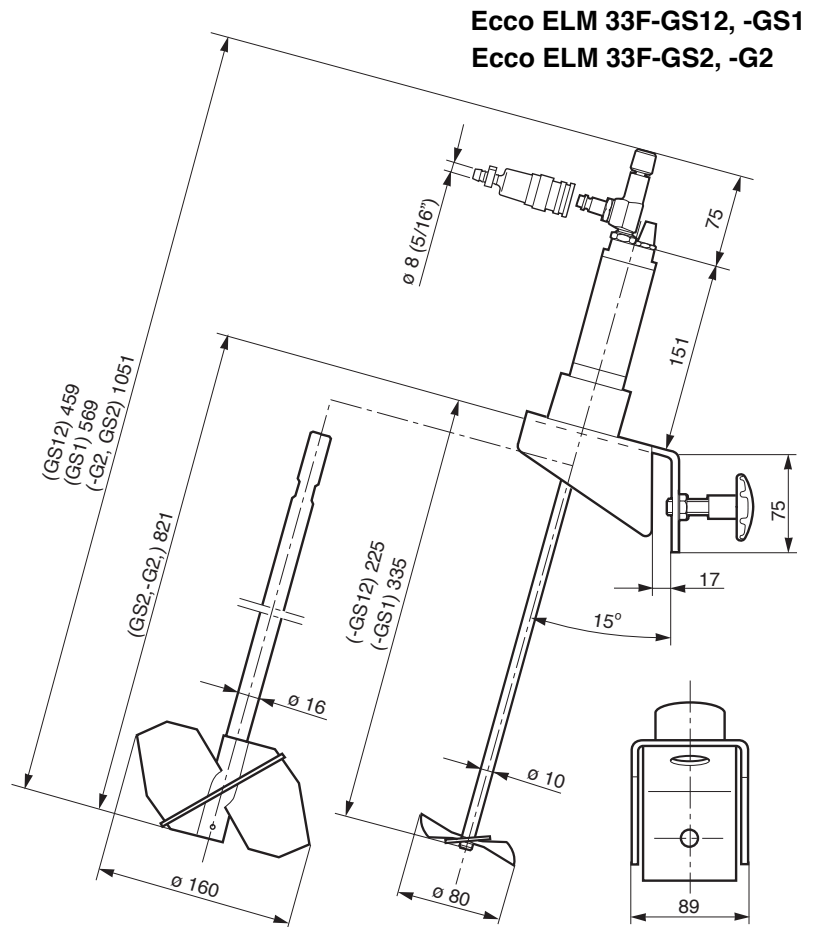
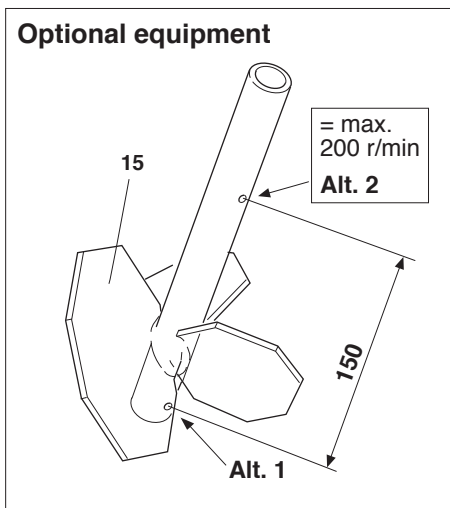
Ref. No.	Part number	Qty	Description
1	8411 0307 30	1	Air motor LZB 33L A007-12 (see spare parts list No. 9836 1221)
2	6003 9372 10	1	Shaft (stainless steel)
3	6003 9298 10	1	Agitator for -GS2, (stainless steel, upwards flow)
3	6003 9298 00	1	Agitator for -G2, (upwards flow)
4	0111 1285 01	1	Pin (3,2 x 40 stainless steel)
5	6003 7827 00	1	Edge bracket, compl.
6	6803 6689 00	1	- Knob
7	<b>0196 1319 00</b>	2	Set screw (SK6SS 8 x 10)
8	9090 0508 00	1	Silencer (G1/4)
9	6003 9301 00	1	Needle valve
-	<b>0663 6112 00</b>	1	- O-ring (5.1 x 1.6)
-	<b>0192 1168 00</b>	1	- Set screw (T6SS 4 x 6)
10	6001 3762 00	1	- Nut (G1/4)
11	<b>0653 1041 00</b>	1	Gasket (10/14 x 1 Kpr)
12	8202 1202 37	1	Nipple NIP 10A M06
13	8202 1302 10	1	Quick coupling QIC 10 H08
14	<b>0347 0122 09</b>	1	Hose clamp (12,8 - 14,8)

### Optional equipment

15	6003 9298 20	1	Agitator, downwards flow and rod extension alt. 2, stainless steel)
----	--------------	---	---

52519 F69

### Optional equipment



52519 F78