

**Ecco M2P 18B**..... Prod. No. 8621 0111 57  
**Ecco M2P 20B**..... Prod. No. 8621 0110 09  
**Ecco Transfer Pack M2P18B**..... Prod. No. 8621 0110 54  
**Ecco Transfer Pack M2P20B**..... Prod. No. 8621 0110 58

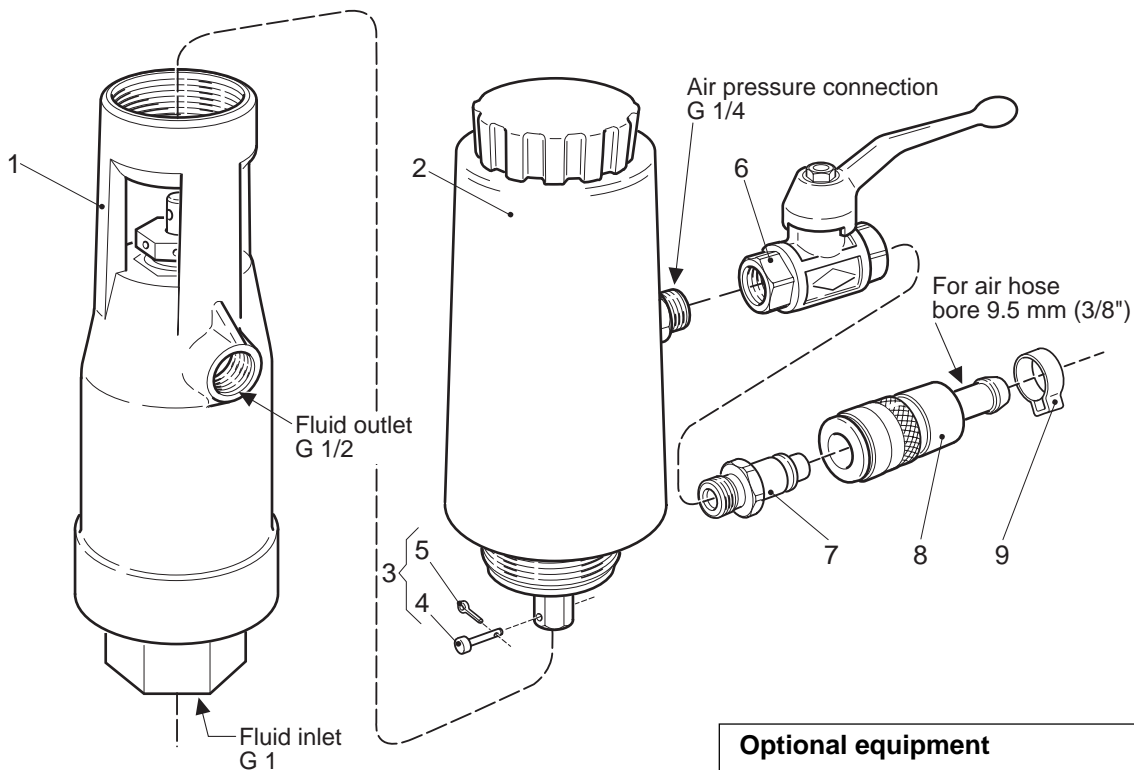
Part numbers in **bold type** designate consumption parts.

**Ecco M2P 18B**

for Ecco Feed A2, Ecco Transfer Pack M2P 18B

**Ecco M2P 20B**

for Ecco Transfer Pack M2P 20B

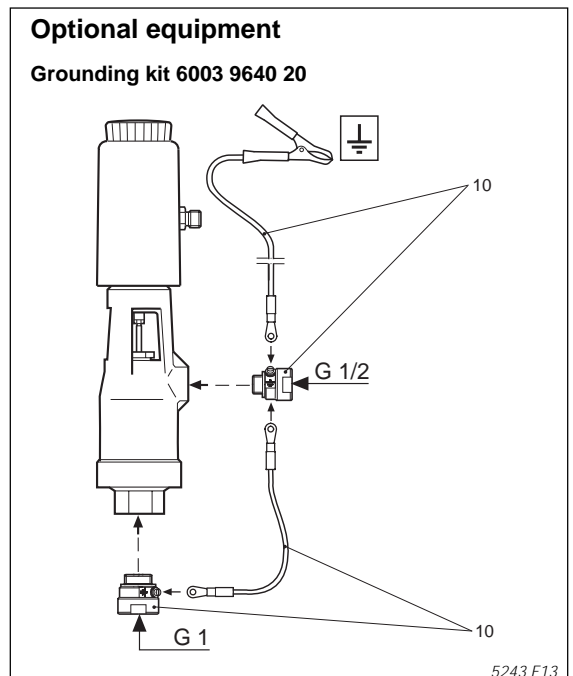


5241 F126

Ref. No.	Part number	Qty		Description
		M2P 18B	M2P 20B	
1	6203 3400 00	1	-	Pump part (see page 2)
1	6202 2272 00	-	1	Pump part (see page 2)
2	6202 2271 00	1	1	Air motor (see page 3)
3	6802 2281 80	1	1	Pin, compl.
4	6802 2281 00	1	1	- Pin
5	0111 1117 00	1	1	- Split pin 1 x 6
6	6003 7774 00	-	1	Ball valve (G 1/4)
7	8202 1202 45	-	1	Nipple NIP 10A M08
8	8202 1302 28	-	1	Coupling QIC 10 H10
9	<b>0347 0122 10</b>	-	1	Hose clamp (14.6-16.8)

**Optional equipment** (see also Ecco Transfer Pack, page 4)

10	6003 9640 20	1	1	Grounding kit (includes 2 nipples [stainless steel] and 6 m grounding wire with clamp)
----	--------------	---	---	--



5243 F13

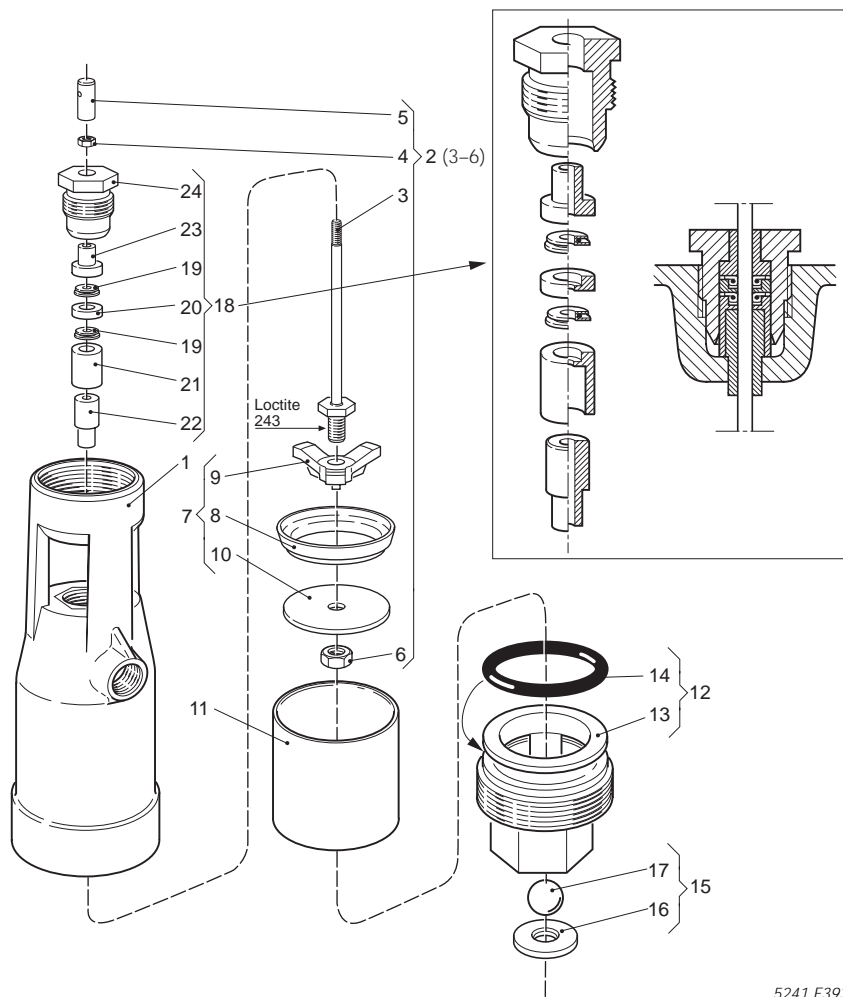
## Pump Part 6203 3400 00

for Ecco M2P 18B

### Service set 6003 9756 00

Ref. No.	Qty	Ref. No.	Qty	Ref. No.	Qty
8	1	17	1	22	1
14	1	19	2	23	1

Ref. No.	Part number	Qty	Description
1	6202 2274 00	1	Pump housing
2	<b>6202 9861 80</b>	1	Rod set
3	6202 9861 00	1	- Rod (stainless steel, hard cromiumpated)
4	6802 8496 00	1	- Nut
5	6202 8311 00	1	- Coupling
6	6802 4136 00 <sup>a</sup>	1	- Nut
7	<b>6203 0834 80</b>	1	Cup seal set
8	6203 0834 00 <sup>b</sup>	1	- Cup seal (glass-fibre reinforced teflon)
9	6202 2242 00	1	- Washer
10	6202 4137 00	1	- Washer (SS)
11	<b>6202 4135 00</b>	1	Pipe (SS)
12	6202 8476 80	1	End piece set
13	6202 8476 00	1	- End piece
14	0663 2137 00 <sup>b</sup>	1	- O-ring (49.2 x 5.7)
15	<b>6202 3046 80</b>	1	Valve set
16	6202 3046 00	1	- Valve seat (stainless steel)
17	0517 1424 46 <sup>b</sup>	1	- Ball (stainless steel 5/8")
18	<b>6802 8686 80</b>	1	Packing set
19	6802 8686 00 <sup>b</sup>	2	- Packing (teflon)
20	6202 8892 00	1	- Washer
21	6202 8893 00	1	- Sleeve
22	6202 8891 00 <sup>b</sup>	1	- Bushing
23	6202 8890 00 <sup>b</sup>	1	- Bushing
24	6202 9857 00	1	- Packing screw



5241 F393

<sup>a</sup> Loctite 243 / <sup>b</sup> Including in service set 6003 9756 00.

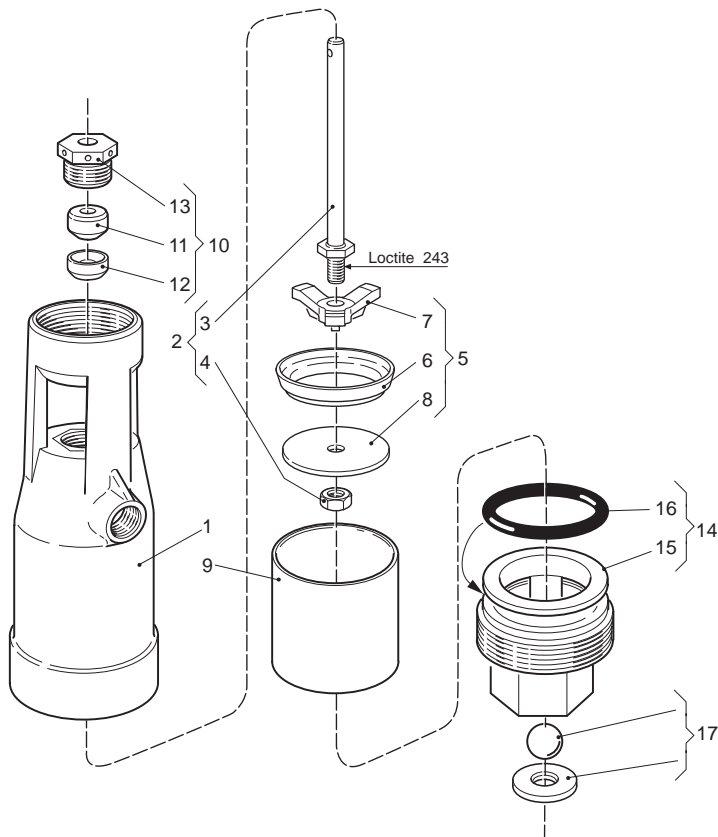
## Pump Part 6202 2272

for Ecco M2P 20B

### Service set 6003 9759 00

Ref. No.	Qty	Ref. No.	Qty
6	1	12	1
11	1	16	1

Ref. No.	Part number	Qty	Description
1	6202 2274 00	1	Pump housing
2	<b>6202 3040 80</b>	1	Rod set
3	6202 3040 00	1	- Rod, (brass)
4	0261 2110 00 <sup>a</sup>	1	- Nut (ML6 M8 fz)
5	<b>6203 0834 81</b>	1	Cup seal set
6	6203 0834 00 <sup>b</sup>	1	- Cup seal (glass-fibre reinforced teflon)
7	6203 2242 00	1	- Washer
8	6202 4137 00	1	- Washer
9	<b>6202 8503 00</b>	1	Pipe (brass)
10	<b>6202 3496 80</b>	1	Packing set
11	6202 3496 00 <sup>b</sup>	1	- Packing (teflon)
12	6202 3037 00 <sup>b</sup>	1	- Ring (POM)
13	6202 2243 00	1	- Gland
14	6202 8476 80	1	End piece set
15	6202 8746 00	1	- End piece
16	0663 2137 00 <sup>b</sup>	1	- O-ring (49.2 x 5.7)



5241 F226

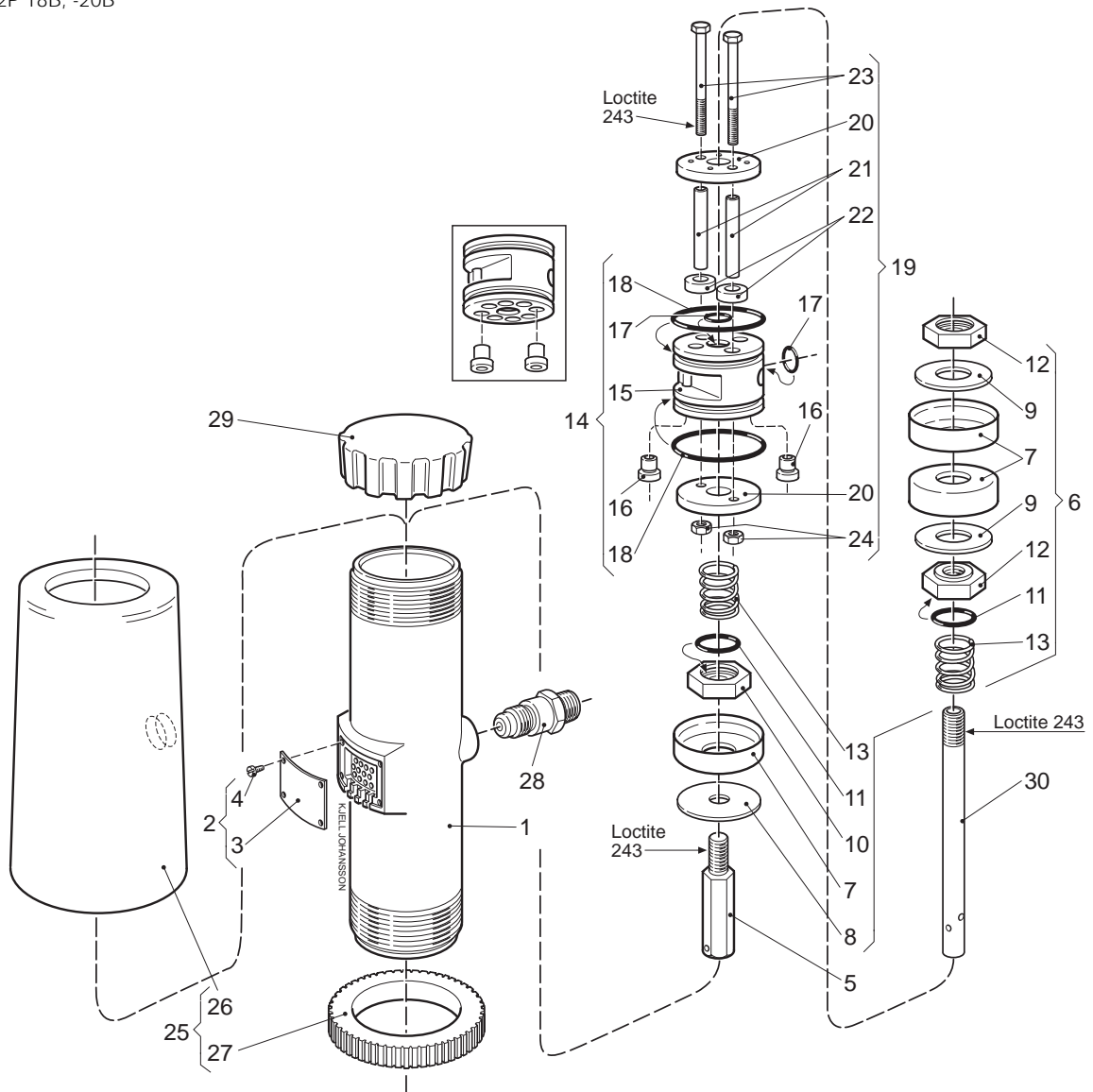
### Optional equipment

17	<b>6202 3046 80</b>	1	Valve set
----	---------------------	---	-----------

<sup>a</sup> Loctite 243 / <sup>b</sup> Including in service set 6003 9759 00.

# Air Motor 6202 2271 00

for Ecco M2P 18B, -20B



## Service set 6203 1296 00

Ref. No.	Qty	Ref. No.	Qty
7	3	17	2
11	2	18	2
16	2	22	2

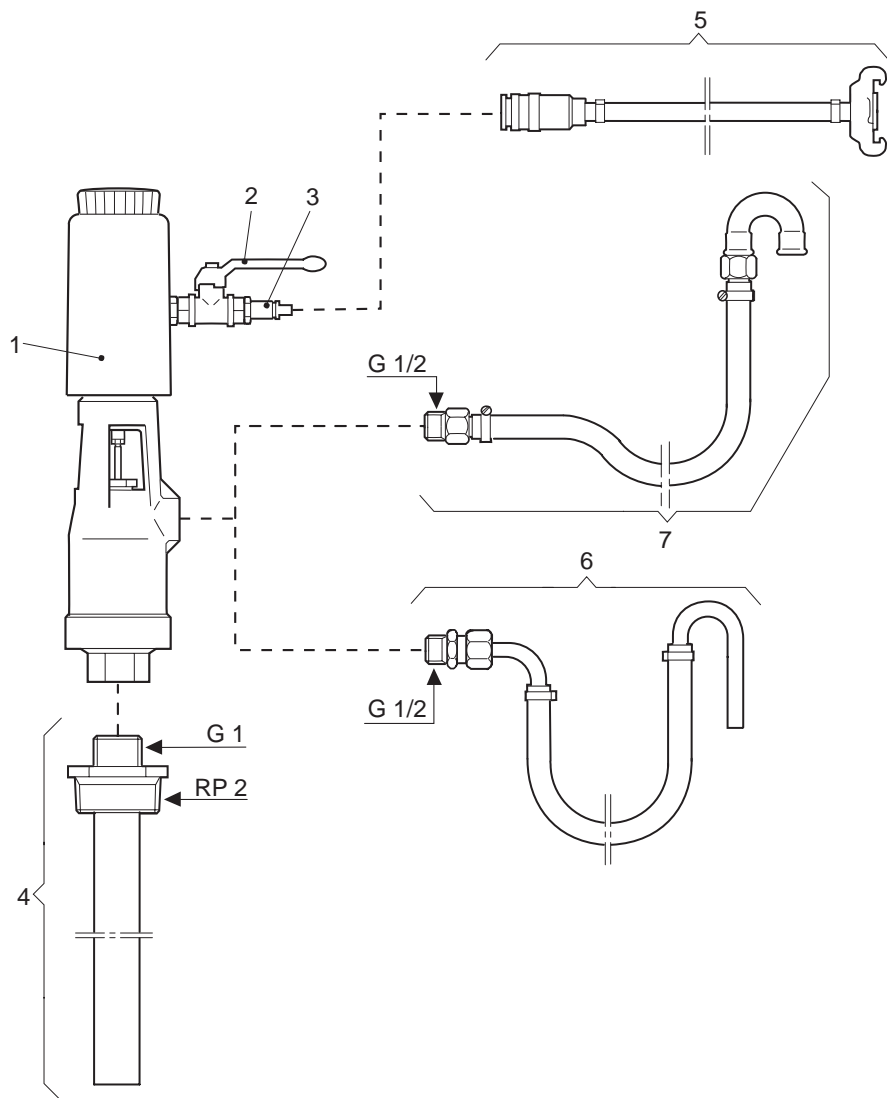
5241 F395

Ref. No.	Part number	Qty	Description	Ref. No.	Part number	Qty	Description
1	6202 2268 00	1	Cylinder	19	<b>6202 3024 80</b>	1	Valve disc set
2	6203 1547 80	1	Plate, compl.	20	6202 3024 00	2	- Valve disc
3	6203 1547 00	1	- Plate	21	6202 2240 00	2	- Spacer
4	0226 3139 00	1	- Screw (MRX 2.2 x 4.5 fz)	22	6202 3178 00 <sup>b</sup>	2	- Flat seal
5	6202 2246 00 <sup>a</sup>	1	Screw	23	0147 1180 03	2	- Screw (M6S 4 x 45 fz)
6	<b>6203 3391 80</b>	1	Cup seal set	24	0266 2106 00 <sup>a</sup>	2	- Nut (M6M 4 fz)
7	6203 3391 00 <sup>b</sup>	3	- Cup seal (leather)	25	6203 1137 80	1	Silenser set
8	6202 2236 00	1	- Washer	26	6203 1137 00	1	- Cap
9	6202 2236 16	2	- Washer	27	6203 1139 00	1	- Guide ring
10	6203 1039 00 <sup>a</sup>	1	- Nut	28	6203 1138 00	1	Nipple
11	0663 2124 00 <sup>b</sup>	2	- O-ring (17.3 x 2.4)	29	6202 2247 00	1	Cover
12	6203 1040 00 <sup>a</sup>	2	- Nut	30	<b>6202 2239 00</b>	1	Tube
13	6202 2280 00	2	- Spring				
14	<b>6203 3350 80</b>	1	Valve housing set				
15	6203 3350 00	1	- Valve housing				
16	6202 9282 00 <sup>b</sup>	2	- Valve seat				
17	0663 2116 00 <sup>b</sup>	2	- O-ring (9.3 x 2.4)				
18	0663 2131 00 <sup>b</sup>	2	- O-ring (34.2 x 3)				

<sup>a</sup> Loctite 243 / <sup>b</sup> Including in service set 6203 1296 00.

**Ecco Transfer Pack M2P 18B 8621 0110 54**

**Ecco Transfer Pack M2P 20B 8621 0110 58**



5241 F659

Ref. No.	Part number	Qty	Description	Ref. No.	Part number	Qty	Description
<b>Ecco Transfer Pack M2P 18B 8621 0110 54</b>				<b>Ecco Transfer Pack M2P 20B 8621 0110 58</b>			
1	8621 0111 57	1	Transfer Pump Ecco M2P 18B (see page 1)	1	8621 0110 09	1	Transfer Pump Ecco M2P 20B (see page 1)
2	6003 7774 00	1	Ball valve (G 1/4)	2	6003 7774 00	1	- Ball valve (G 1/4)
3	8202 1202 45	1	Nipple NIP 10A M08	3	8202 1202 45	1	- Nipple NIP 10A M08
4	6202 3063 00	1	Pump extension, compl. L=850 mm for 200l drum	4	6202 3063 00	1	Pump extension, compl. L=850 mm for 200l drum
5	6202 3361 00	1	Air hose, compl. L=5 m	5	6202 3361 00	1	Air hose, compl. L=5 m
-	6803 6687 00	By the metre	- Hose (PVC 12, bore 9.5 mm [3/8"])	-	6803 6687 00	By the metre	- Hose (PVC 12, bore 9.5 mm [3/8"])
6	6003 9748 15	1	Outlet hose, compl. L= 5 m	7	6003 2162 00	1	Outlet hose, compl. L= 5 m
-	6003 6880 00	By the metre	- Hose (rubber, resistant to solvent, bore 12.5 mm [1/2"])	-	6202 3376 00	By the metre	- Hose (PVC 12, bore 12.5 mm [1/2"])
<b>Optional equipment</b>				<b>Optional equipment</b>			
-	6003 9640 20	1	Grounding kit (see page 1)	-	6003 9640 20	1	Grounding kit (see page 1)